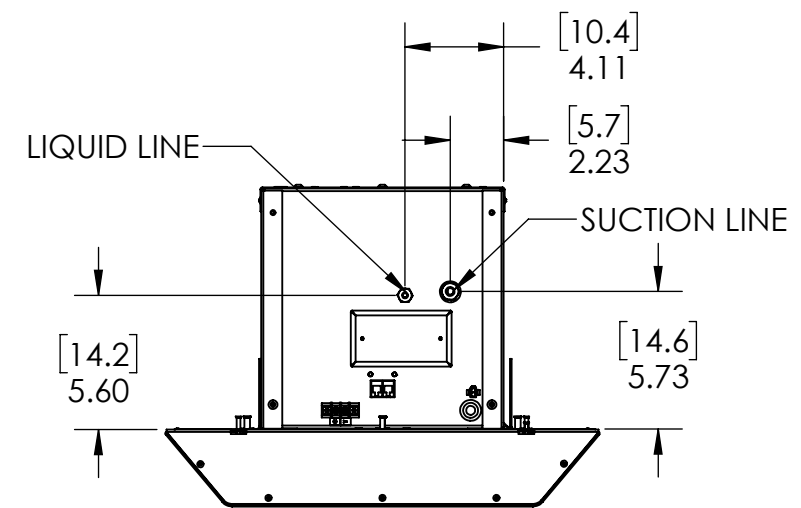
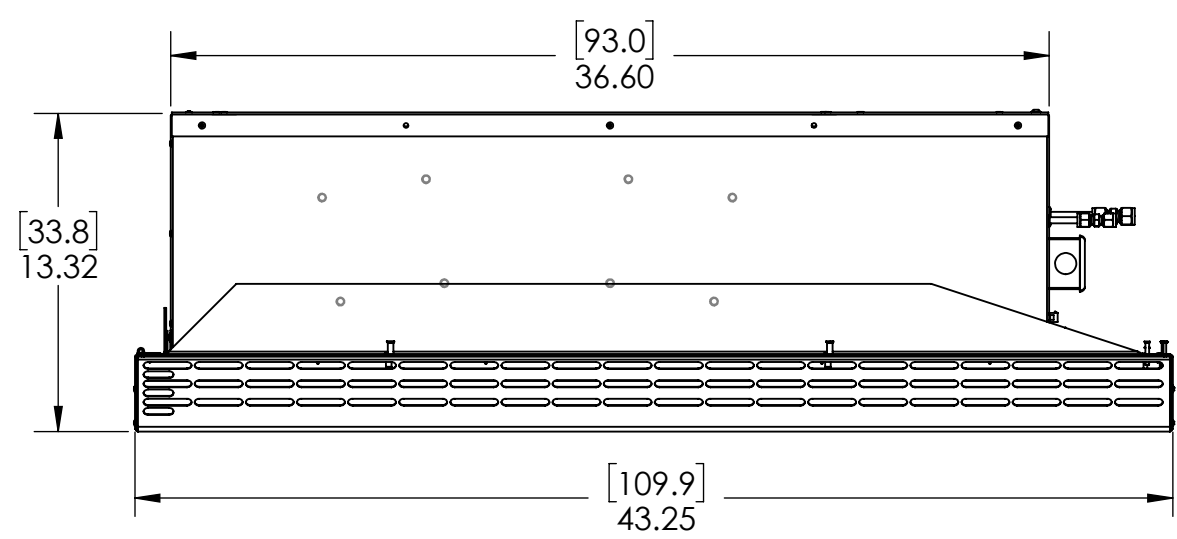
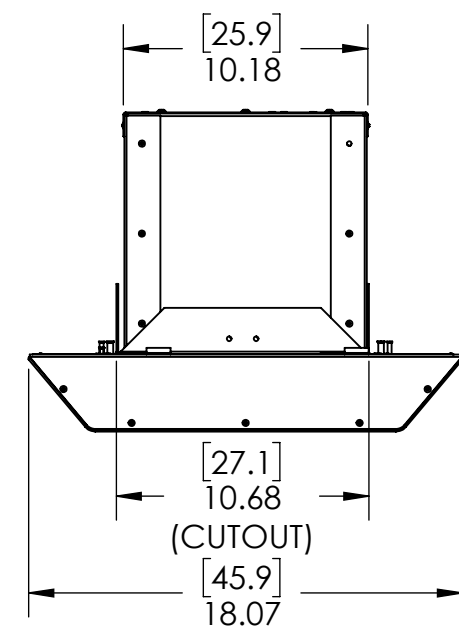
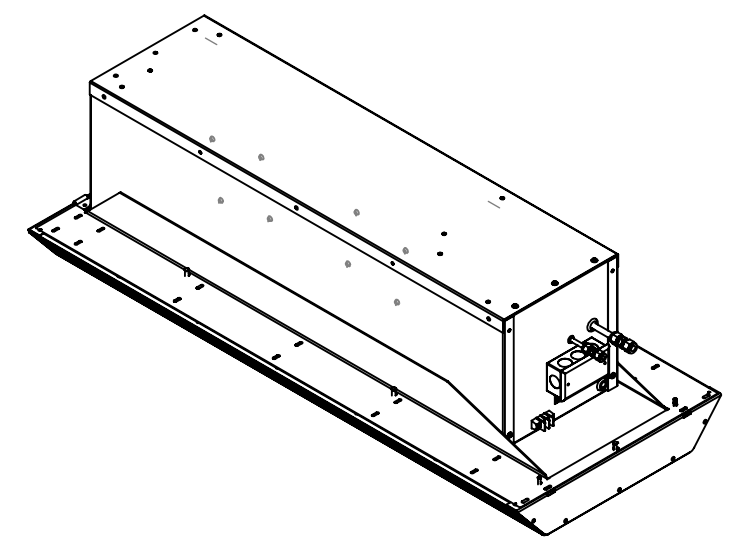
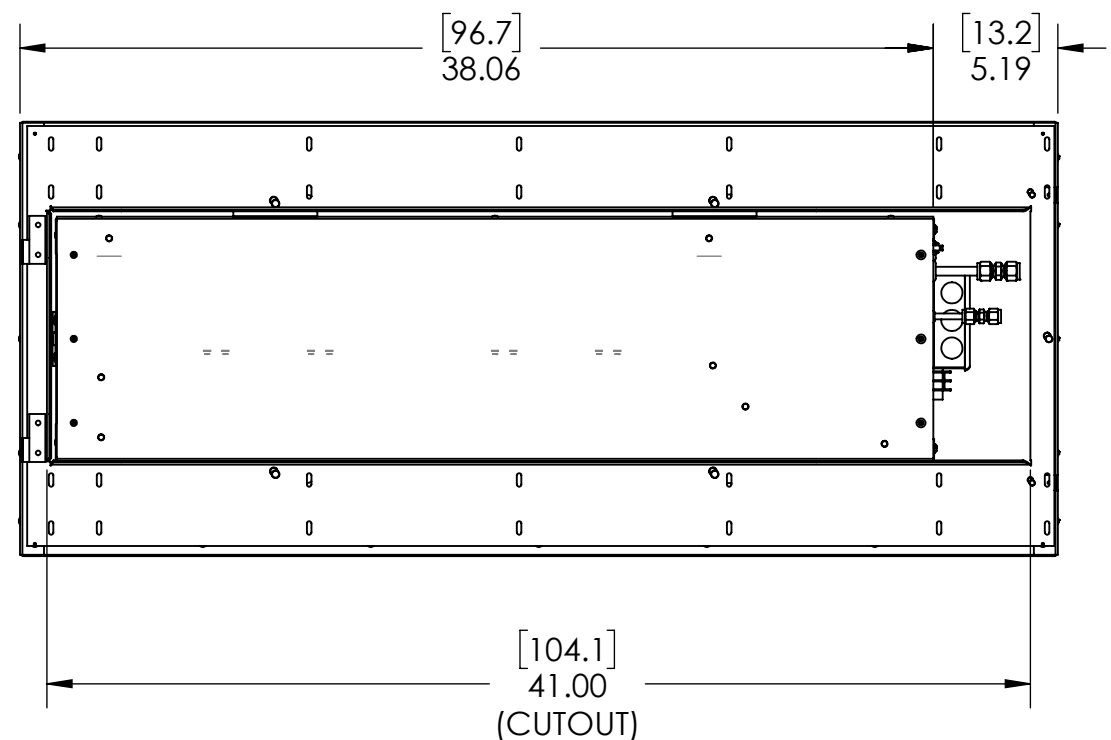



8 7 6 5 4 3 2 1

D  
C  
B  
A

D  
C  
B  
A



DIMENSIONS SHOWN IN [ ] ARE CM

UNLESS OTHERWISE SPECIFIED:		NAME	DATE	 7000 PERFORMANCE DRIVE, SYRACUSE, NY 13212, Tel. 315-452-7400	
DIMENSIONS ARE IN INCHES		DRAWN	NAR		03/09/23
TOLERANCES:		CHECKED			
FRACTIONAL ± 1/16		ENG APPR.			
ANGULAR: MACH ± 2 BEND ± 2		MFG APPR.			
TWO PLACE DECIMAL ± .03				TITLE:	
THREE PLACE DECIMAL ± .015				CS025, CS050	
INTERPRET GEOMETRIC TOLERANCING PER:		MATERIAL:		SIZE	
COMMENTS:		MODEL:		B	
-				DWG. NO.	
				CEILING UNIT	
				REV	
				~	
DO NOT SCALE DRAWING				SHEET 1 OF 1	

8 7 6 5 4 3 2 1